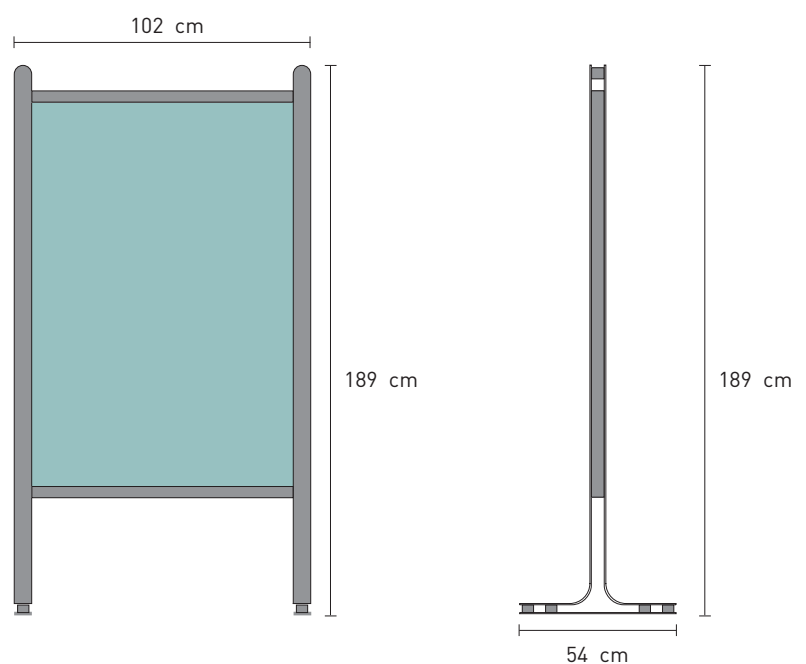




## TECHNICAL SPECIFICATIONS SUNDER STYLE

Isospace sunder style is an elegant, practical and handy sound absorbing room divider designed to provide safety, privacy and acoustic comfort in rooms. Thanks to the insertion of Isospace Style soundproofing technology, it absorbs reverberated sound waves, reducing the sound tail and improving the living comfort of spaces. Isospace Style sound-absorbing panels are sustainable, non-toxic and non-allergenic. These panels do not disperse dust or volatile substances into the environment and guarantee maximum healthiness.

### Structure size



<b>Thickness</b>	approx. 5,5 cm														
<b>Fire Reaction</b>	Class 1 - Euroclass B-s2,d0 with ministerial approval														
<b>Sound absorption</b>	Equivalent sound absorption area (uni en iSO 354:2003)														
	<table border="1"> <thead> <tr> <th>Frequency [Hz]</th> <th>125</th> <th>250</th> <th>500</th> <th>1000</th> <th>2000</th> <th>4000</th> </tr> </thead> <tbody> <tr> <td>A<sub>obj</sub> [m<sup>2</sup>]</td> <td>0,60</td> <td>1,40</td> <td>2,00</td> <td>2,20</td> <td>2,40</td> <td>2,60</td> </tr> </tbody> </table>	Frequency [Hz]	125	250	500	1000	2000	4000	A <sub>obj</sub> [m <sup>2</sup> ]	0,60	1,40	2,00	2,20	2,40	2,60
Frequency [Hz]	125	250	500	1000	2000	4000									
A <sub>obj</sub> [m <sup>2</sup> ]	0,60	1,40	2,00	2,20	2,40	2,60									
	Certificate N. 328766 by Istituto Giordano.														
<b>Emission of volatile organic compounds</b>	VOC A+														
<b>Weight</b>	17.5 kg														
<b>Size</b>	102 x 189 x 54 (bases) cm Different shapes are available after feasibility check.														
<b>Structure colour</b>	Black matt textured Other finishes are available subject to feasibility studies.														

**Finishing**

- **Black&White:** white or black panel
- **Original:** both side printed with tailored images  
Style panels can be customised on the visible surface with prints, photos and plain colours. The images for printing can be supplied by the customer (subject to quality control) or chosen from the galleries at [www.isospace.it](http://www.isospace.it).
- **Collection:** black/white panel printed with PantOne®Solid coated  
Style panels can be printed with all PantOne® colours, on this page there is only a limited and partial selection from the complete range.



**Conditions of use**

Isospace sunder style is ideal as a separating element in public spaces such as open-plan offices, coworking spaces, bars, restaurants, retail outlets, classrooms and gyms. the structure is made of powder-coated aluminium with a textured matt black finish, and the floor-standing base is fitted with scratch-resistant supports. light and resistant, it can be moved easily, allowing spaces to be separated flexibly and creating different configurations according to the needs of the moment, also in accordance with current social distancing protocols.

**Item specifications**

Aluminium partition measuring 102 x 189 x 54 cm, made with a sound-absorbing panel measuring 100 x 140 cm made of ISOLFIBTEC STL, a technical polyester textile fibre with high sound-absorbing power and increasing density along its thickness (isospace style). panel density with variable gradient of average value 40 kg/m<sup>3</sup>, suitably calibrated to improve sound-absorbing performance. 45 mm thick, fire reaction Euroclass B-s2,d0 with ministerial approval, white or black. the panel finish can be customised by printing.

**Warnings**

This technical data sheet does not constitute a specification and, if it consists of several pages, please ensure that you have consulted the complete document. the indications given are the result of our best current experience but are nevertheless indicative. The user should establish whether the product is suitable for its intended application. The user will be also in charge of all the responsibility for the use of the product itself.